

# PRODUCT INFORMATION PACKET

**marathon**<sup>®</sup>  
Motors

Model No: 5KC49TN0033  
Catalog No: C295  
1,1725,TEFC,143T,1,60/115/230  
Totally Enclosed Fan Cooled (TEFC)



Regal and Marathon are trademarks of Regal Beloit Corporation or one of its affiliated companies.  
©2018 Regal Beloit Corporation, All Rights Reserved. MC017097E

**REGAL**<sup>®</sup>



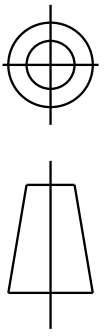
### Nameplate Specifications

Output HP	<b>1 Hp</b>	Output KW	<b>0.75 kW</b>
Frequency	<b>60 Hz</b>	Voltage	<b>115/230 V</b>
Current	<b>13.2,6.6 A</b>	Speed	<b>1725 rpm</b>
Service Factor	<b>1</b>	Phase	<b>1</b>
Efficiency	<b>72.2 %</b>	Duty	<b>Continuous</b>
Insulation Class	<b>B</b>	KVA Code	<b>K</b>
Frame	<b>143T</b>	Enclosure	<b>Totally Enclosed Fan Cooled</b>
Overload Protector	<b>N/R</b>	Ambient Temperature	<b>40 °C</b>
Drive End Bearing Size	<b>6205</b>	Opp Drive End Bearing Size	<b>6203</b>
UL	<b>Recognized</b>	CSA	<b>Yes</b>
CE	<b>N</b>		

### Technical Specifications

Electrical Type	<b>Capacitor start(CSIR)</b>	Starting Method	<b>SM</b>
Poles	<b>4</b>	Rotation	<b>Counterclockwise/Clockwise</b>
Mounting	<b>Rigid base</b>	Motor Orientation	<b>Any</b>
Drive End Bearing	<b>BALL</b>	Opp Drive End Bearing	<b>BALL</b>
Frame Material	<b>Rolled Steel</b>	Overall Length	<b>13.33 in</b>
Frame Length	<b>7.68 in</b>	Shaft Diameter	<b>0.880 in</b>
Shaft Extension	<b>2.25 in</b>		
Outline Drawing	<b>52A107722P1</b>	Connection Diagram	<b>52A105381BA</b>

This is an uncontrolled document once printed or downloaded and is subject to change without notice. Date Created: 06/29/2018

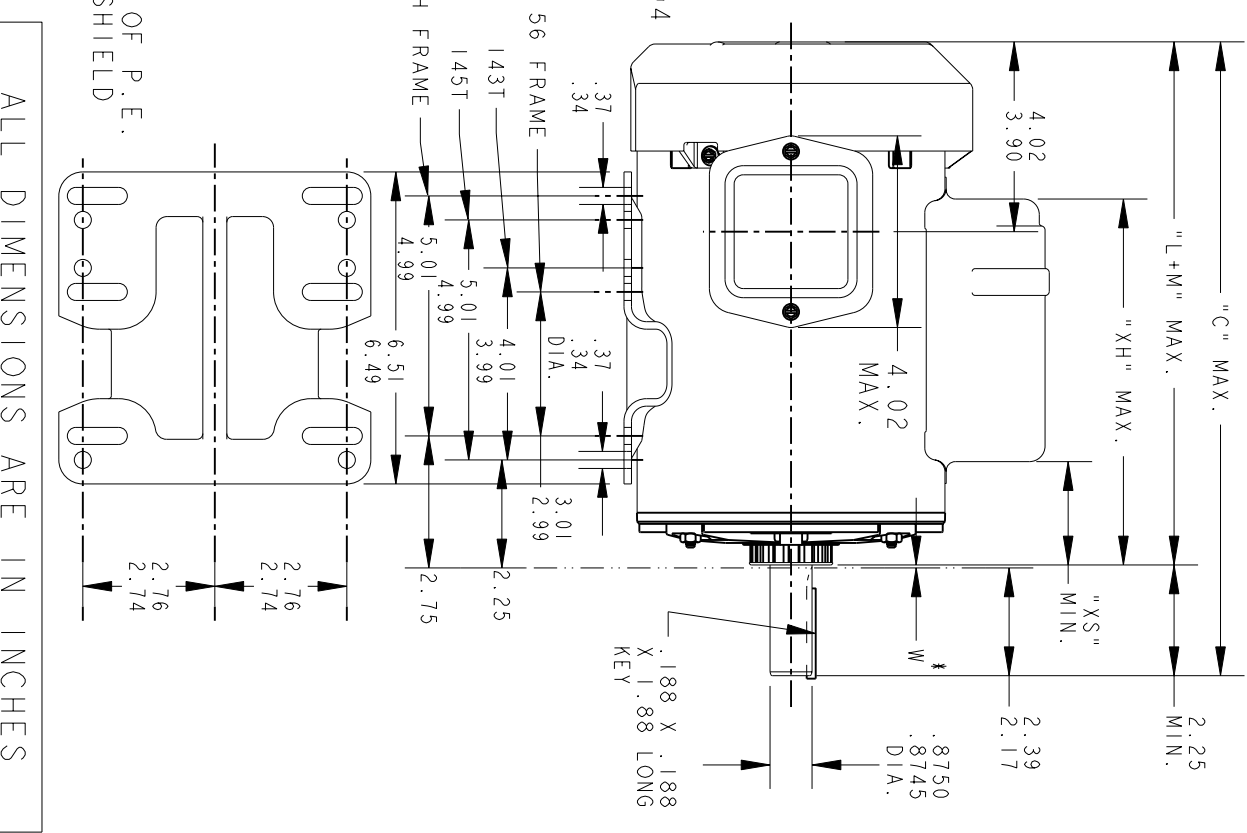
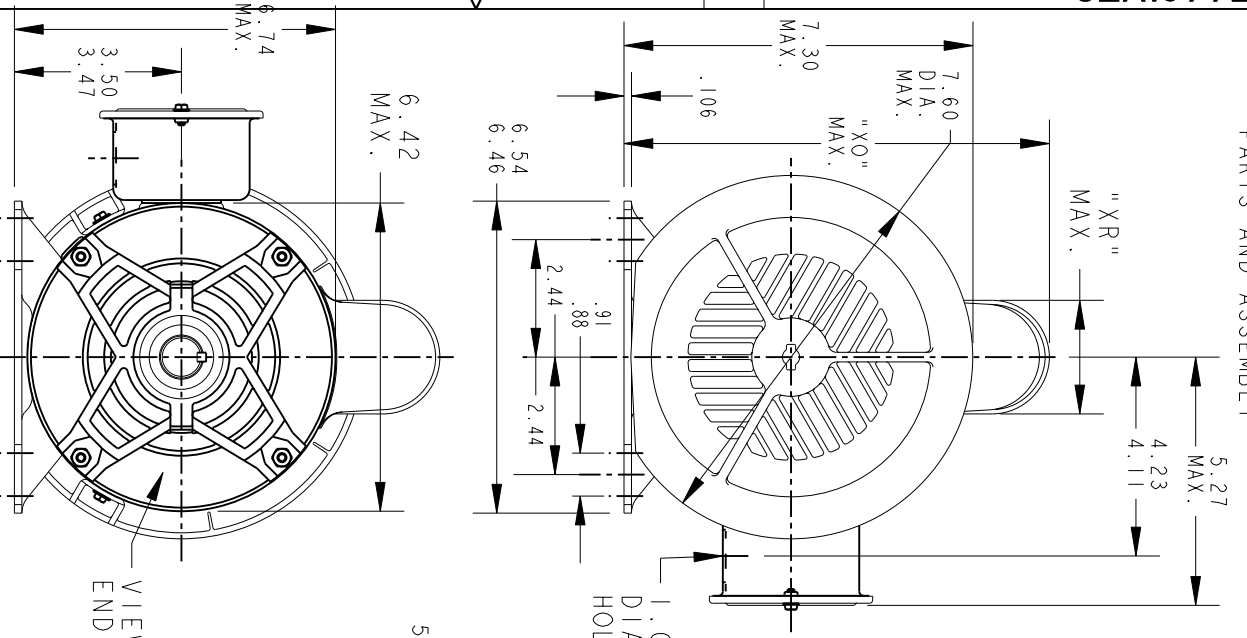


REV.	DESCRIPTION	DATE	APPROVED
3	UPDATED DIMS. PER STANDARDS.	06/24/92	M.D. PAPE
4	CHG TO RBC FORMAT PER ISO5-1777	03/01/06	SUDHA

52A107722 4

SIZE A DRAWING NO.

\* W IS A VARIABLE CLEARANCE DUE TO VARIATIONS IN PARTS AND ASSEMBLY



VIEW OF P.E. END SHIELD

ALL DIMENSIONS ARE IN INCHES

P	TYPE	GE	SIZE	NEMA FR.	"C"	"L+M"	"XH"	"XO"	"XR"	"XS"	MIN. SHELL
I	KC	49		143T	13.33	11.07	7.76	8.94	2.40	2.01	7.68
P				145T							

SIGNATURES		DATE
MODEL	M.D. PAPE	08/30/91
DETAIL		
CHECKED		
ENGRG		



REGAL-BELOTT CORPORATION

TITLE OUTLINE

GENERAL PURPOSE MOTOR TEFC - BALL BEARING  
 WELDED BASE R2 END MOUNTED FWF - 40 FRAME REDESIGN (SKC491TM00331)

FOR ADDITIONAL INFO REFER TO:	
APPLIED PRACTICES	QUALITY
DIMENSIONS ARE IN INCHES	ISSUED
MATERIAL	SOLID MODEL: 52A107722

SIZE	DRAWING	REV
A		4

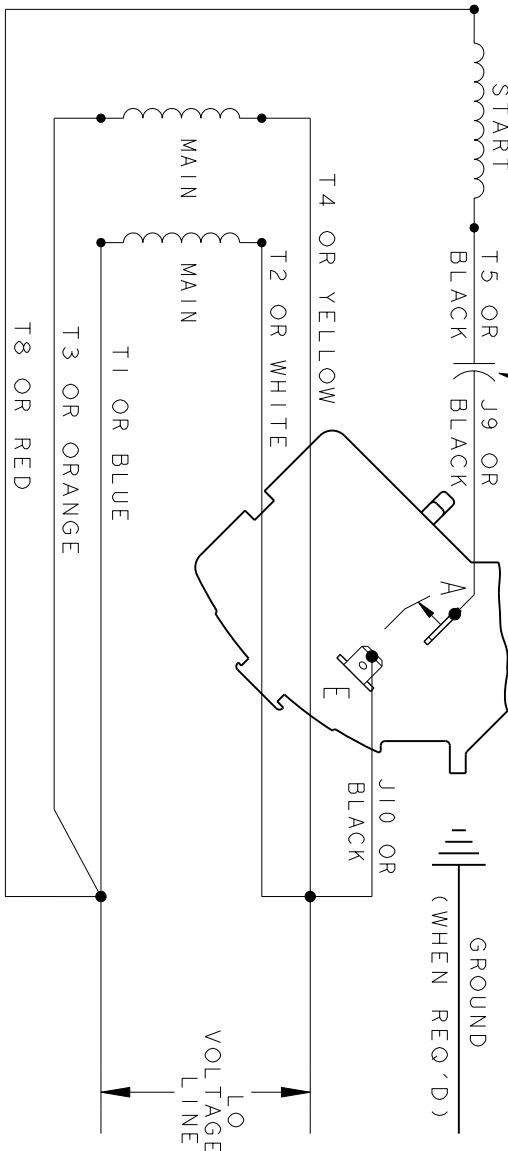
SCALE: 0.250 REF. No.: .



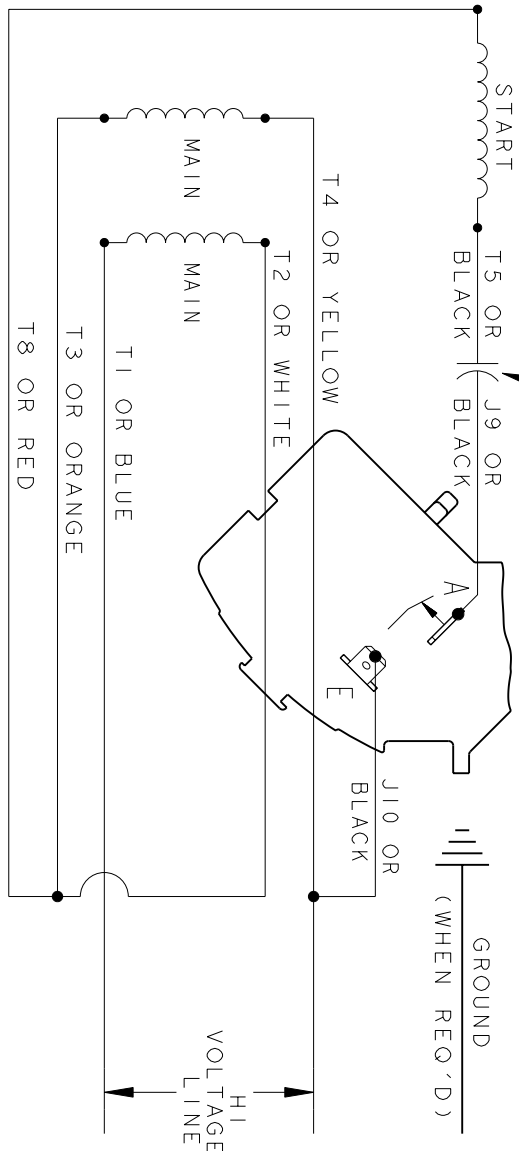
REV.	DESCRIPTION	DATE	APPROVED
3	UPDATED FORMAT	01/04/06	MAM

CCW/CW ROTATION - DUAL VOLTAGE  
TYPE KC OR KH

CAPACITOR AS SHOWN FOR KC MOTORS ONLY. LEAD T5 BLACK CONNECTED DIRECTLY TO TERMINAL BOARD FOR KH MOTORS.



CAPACITOR AS SHOWN FOR KC MOTORS ONLY. LEAD T5 BLACK CONNECTED DIRECTLY TO TERMINAL BOARD FOR KH MOTORS.



NOTE#1 - TO REVERSE ROTATION, INTERCHANGE T8 RED AND J10 BLACK LEADS.  
NOTE#2 - WHEN MORE THAN ONE CAPACITOR IS USED, CONNECT IN PARALLEL.

SWITCH (H) - 115D958AA

REF. DIAG. - 113A326 CONNECTION LABEL - 52X332917

SIGNATURES		DATE
MODEL	M.D. PAPER	06/29/87
DETAIL		
CHECKED		
ENGRG		
MFG		
QUALITY		
ISSUED	M.D.P.	06/29/87
SOLID MODEL: 52A105381BA		

TITLE	
<b>REGAL-BELOIT CORPORATION</b>	
<b>CONNECTION DIAGRAM</b>	
SIZE DRAWING	FME: 30 FRAME SWITCH REDESIGN
A	
SCALE: 1.000	REF. No: .
SHEET 1 of 1	REV 3